

# ELKAY® SPECIFICATIONS

## Lustertone® Deep Single Bowl Sink Models DLR and DLRQ Series

### GENERAL

Highest quality sink bowl seamlessly formed of #18 gauge, type 304 (18-8) nickel bearing stainless steel. Self-rimming.

### DESIGN FEATURES

Bowl Depth: 10" [DLR151710], 10-1/8" [all others], 11-5/8" [DLR(Q)312212] or 12-1/8" [DLR(Q)222212, DLR(Q)252212].

Coved Corners: 1-3/4" vertical and horizontal radius.

Bowl and Faucet Deck Recess: 3/16" below outside edge of sink.

Finish: Exposed surfaces are hand blended to a lustrous highlighted satin finish.

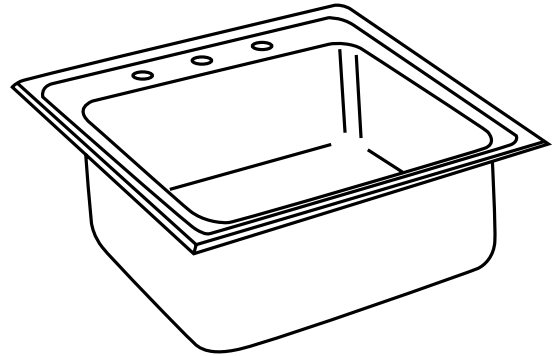
Underside: Fully undercoated to dampen sound and prevent condensation. DLR(Q)191910 and DLR252110 underside is fully protected by heavy duty Sound Guard® undercoating.

### OTHER

Drain Opening: 3-1/2".

NOTE: Unless otherwise specified, sink is furnished with 3 faucet holes as shown.

These sinks comply with ANSI Standard A112.19.3M.



Model DLR(Q)2522103

### SINK DIMENSIONS (INCHES)\*

U-Channel Model Number	Quick-Clip® Model Number	Overall		Inside Bowl			Cutout in Countertop (1 1/2" Radius Corners)		No. of 1 1/2" Dia. Faucet Holes 4" Center	Minimum Cabinet Size	Ship. Wt. Lbs.
		L	W	L	W	D	L	W			
		A	B	C	D	E	L	W			
DLR151710	-	15	17 1/2	12	12	10	14 3/8	16 7/8	1, 2, MR2, 3	18	12 1/2
DLR171610	DLRQ171610	17	16	14	10	10 1/8	16 3/8	15 3/8	1, 2, MR2, 3, OS4	21	12
DLR172010	DLRQ172010	17	20	14	14	10 1/8	16 3/8	19 3/8	1, 2, MR2, 3, OS4	21	14
DLR172210	DLRQ172210	17	22	13 1/2	16	10 1/8	16 3/8	21 3/8	1, 2, MR2, 3, OS4	21	14 3/4
DLR191910	DLRQ191910	19 1/2	19	16	13 1/2	10 1/8	18 7/8	18 3/8	1, 2, MR2, 3, OS4	24	14 3/4
DLR202210	DLRQ202210	19 1/2	22	16	16	10 1/8	18 7/8	21 3/8	1, 2, MR2, 3, OS4	24	14 1/2
DLR221910	DLRQ221910	22	19 1/2	18	14	10 1/8	21 3/8	18 7/8	1, 2, MR2, 3, 4, 5	27	14 3/4
DLR222210	DLRQ222210	22	22	19	16	10 1/8	21 3/8	21 3/8	1, 2, MR2, 3, 4, 5	27	15
DLR222212	DLRQ222212	22	22	19	16	12 1/8	21 3/8	21 3/8	1, 2, MR2, 3, 4, 5	27	17
DLR252110	-	25	21 1/4	21	15 3/4	10 1/8	24 3/8	20 5/8	1, 2, MR2, 3, 4, 5	30	18
DLR252210	DLRQ252210	25	22	21	15 3/4	10 1/8	24 3/8	21 3/8	1, 2, MR2, 3, 4, 5	30	18 1/2
DLR252212	DLRQ252212	25	22	21	15 3/4	12 1/8	24 3/8	21 3/8	1, 2, MR2, 3, 4, 5	30	19
DLR312210	DLRQ312210	31	22	28	16	10 1/8	30 3/8	21 3/8	1, 2, MR2, 3, 4, 5	36	22 1/2
DLR312212	DLRQ312212	31	22	28	16	11 5/8	30 3/8	21 3/8	1, 2, MR2, 3, 4, 5	36	22 1/2
DLRS332210	DLRSQ332210	33	22	28	16	10 1/8	32 3/8	21 3/8	1, 2, MR2, 3, 4, 5	36	23

\*Length is left to right. Width is front to back.

SEE OTHER SIDE FOR PRODUCT DIMENSIONS.

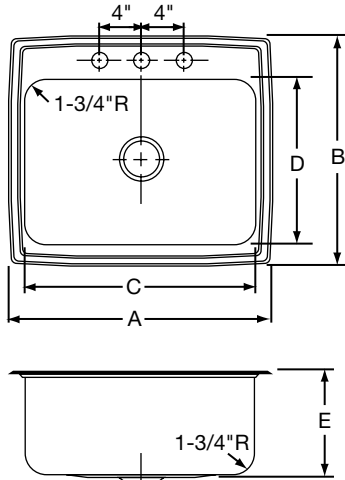
ALL DIMENSIONS IN INCHES, TO CONVERT TO MILLIMETERS MULTIPLY BY 25.4.

In keeping with our policy of continuing product improvement, Elkay reserves the right to change product specifications without notice.

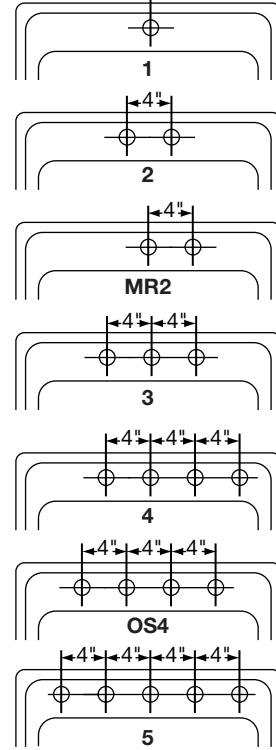
This specification describes an Elkay product with design, quality and functional benefits to the user. When making a comparison of other producers' offerings, be certain these features are not overlooked.

**Lustertone® Deep Single Bowl Sink  
Models DLR and DLRQ Series**

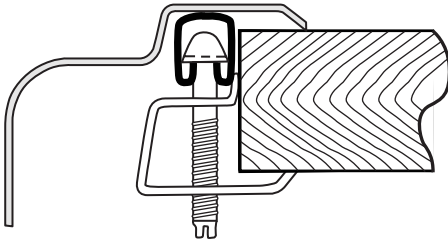
**ELKAY®  
SPECIFICATIONS**



**HOLE DRILLING  
CONFIGURATIONS**



**U-Channel Type Mounting System**



**Quick-Clip® Mounting System**

