

SPEAKMAN COMPANY

Installation, Maintenance & Operation Instructions

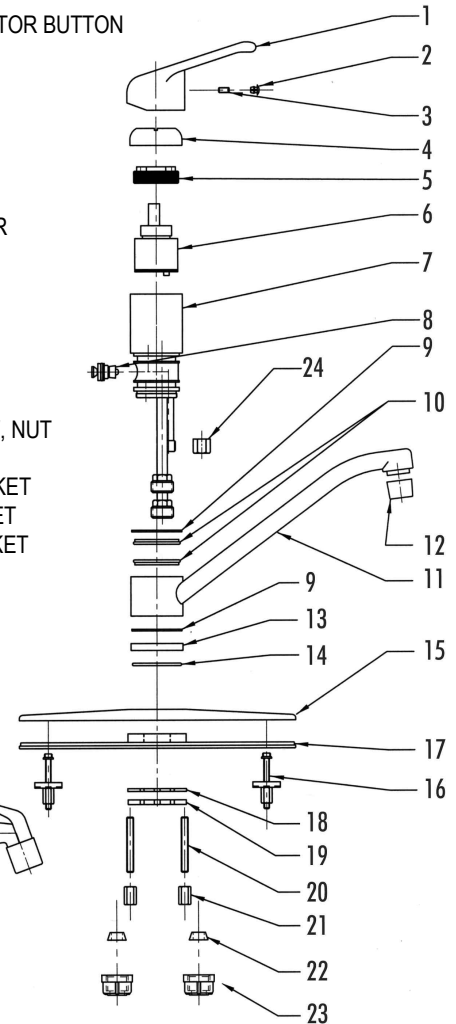
LEAD FREE 8" SINGLE LEVER KITCHEN FAUCET

Model No. S-3761 and S-3761-HS (includes spray hose and holder)

SPEAKMAN COMPANY SINGLE LEVER FAUCET REPLACEMENT KITS			
KIT	PART #	DESCRIPTION	QTY
1	RPG04-0363	KIT: OPEN DESIGN LVR HANDLE (1), SET SCREW (1), HOT/ COLD INDICATOR BUTTON (1)	1
2	RPG05-0701	CARTRIDGE KIT: PACKING NUT, CARTRIDGE ASSEMBLY WITH TEMPERATURE LIMIT STOP	1
3	RPG05-0720	KIT: TIE DOWN SCREW (2), SEALING O-RING (1), DECK PLATE AND GASKET (1 EA), MOUNTING GASKET AND BRACKET (1 EA), STUDS (2), HEX NUTS(2), SEALING GASKET (2), COUPLING NUTS (2)	1
4	RPG05-0713	2.0 GPM NEOPERL AERATOR	1
5	38-0138	PLASTIC SPRAY HOSE	1
6	G05-0341-PC	HOSE HOLDER	1
CUSTOMER OPTIONS			
	PART #	DESCRIPTION	QTY
7	RPG05-0705-PC	2.0 GPM LAMINAR FLOW OUTLET	1
8	RPG05-0677-PC	2.2 GPM VANDAL-RESISTANT AERATOR OUTLET W/ KEY	1
9	G63-0056	16" HOSE 1/2"-14 STRAIGHT 9/16"-24 COMPRESSION	1
10	RPG04-0364	KIT: SOLID LEVER HANDLE (1), SET SCREW (1), HOT/COLD INDICATOR BUTTON (1)	1

- | | |
|------|---------------------------------|
| ITEM | DESCRIPTION |
| 1 | LEVER HANDLE |
| 2 | HOT/COLD INDICATOR BUTTON |
| 3 | SET SCREW |
| 4 | COLLAR |
| 5 | PACKING NUT |
| 6 | CARTRIDGE |
| 7 | MAIN BODY |
| 8 | DIVERTER VALVE |
| 9 | FRICITION WASHER |
| 10 | SILICON O-RING |
| 11 | SWIVEL SPOUT |
| 12 | FLOW OUTLET |
| 13 | NUT |
| 14 | O-RING |
| 15 | 8" DECK PLATE |
| 16 | TIE DOWN SCREW, NUT AND BRACKET |
| 17 | DECK PLATE GASKET |
| 18 | MOUNTING GASKET |
| 19 | MOUNTING BRACKET |
| 20 | 1/4" - 20 STUD |
| 21 | 1/4" - 20 HEX NUT |
| 22 | SEALING GASKET |
| 23 | COUPLING NUT |
| 24 | CONNECTOR CAP |

HOSE HOLDER
PART NO.
G05-0341-PC

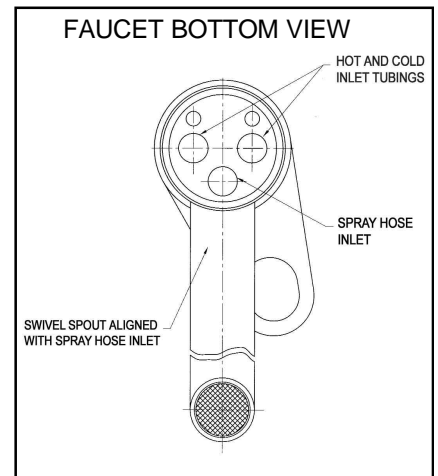


CONGRATULATIONS

You have purchased a Speakman Company "Lead Free" 8" Single Lever Kitchen Faucet. This faucet has lead free waterways, a long life ceramic cartridge and is NSF compliant. The faucet will provide years of trouble free service. If you should have any questions, please contact Speakman Company at 1-800-537-2107 or www.speakmancompany.com.

INSTALLATION INSTRUCTIONS

- Shut off hot and cold water supplies.
- Place deck plate gasket (17) and deck plate (15) on the sink centered on the main hole. Attach the two tie-down screws (16) to the deck plate (15) from underneath of the sink by sliding the head of each screw into the slot provided at each end of the deck plate. Fasten the nuts and brackets against the sink or countertop. Mount the mounting studs (20) in the bottom of the faucet and install the sealing o-ring (14) on the bottom of the faucet in groove provided. Install the flow outlet (12) using the key provided.
IMPORTANT: Align the swivel spout (11) with the spray hose inlet on the faucet body before mounting faucet on the sink (see Faucet Bottom View).
- Position the faucet on top of the deck plate (15) on top of the sink with the hot/cold connecting pipes going through the sink's faucet mounting hole. From underneath the sink position mounting gasket (18) and mounting bracket (19) on the mounting studs (20) and attach and tighten the hex nuts (21). Make sure main body (7) is in correct position with the lever handle (1) moving front to back and equally spread left to right for hot and cold. Also make sure to correct the position of the deck plate (15) if necessary before tightening the nuts.



SPEAKMAN®

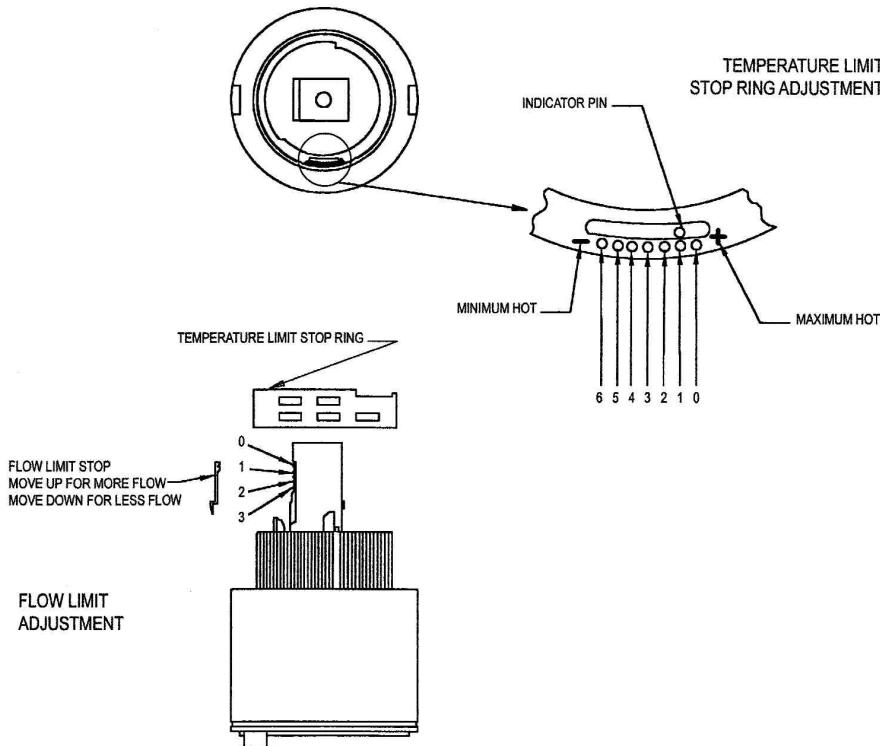
P.O. Box 191, Wilmington, DE 19899-0191
Phone: 800-537-2107 Fax: 800-977-2747

SPEAKMAN COMPANY
Installation, Maintenance & Operation Instructions
LEAD FREE 8" SINGLE LEVER KITCHEN FAUCET
Model No. S-3761 and S-3761-HS

INSTALLATION INSTRUCTIONS (continued)

4. Connect left inlet tube to hot water supply and right inlet tube to cold water supply.
WARNING: Do not kink the copper tubes when connecting to water supplies.
5. If copper supplies are used, install sealing gasket (22) and coupling nuts (23) provided.
6. If spray hose part No. 38-0138 is supplied, install hose holder part No. G05-0341-PC on the sink or countertop then install the spray hose by removing the cap (24) from the faucet outlet and screw the end of the spray hose into the outlet.
CAUTION: DO NOT APPLY SOLDER OR BRAZE TO INLET TUBES. EXCESSIVE HEAT MAY DAMAGE COMPONENTS!

TEMPERATURE LIMIT STOP & FLOW ADJUSTMENT



POSITION @ 45 PSI	FLOW LIMIT	TEMP LIMIT
0	0%	0%
1	5%	0%
2	12%	3%
3	25%	10%
4		20%
5		30%
6		40%

NOTE: The faucet comes set for maximum flow and maximum temperature mix position

FLOW AND TEMPERATURE ADJUSTMENT INSTRUCTIONS

Adjusting Temperature Limit:

1. Remove handle by removing red/blue button (2) and set screw (3) using an Allen key and remove collar (4) by hand counter-clockwise.
2. With cartridge control shaft in the center and off position, carefully lift and rotate the temperature limit stop ring to the desired setting using needle nose pliers or by hand. Clockwise rotation of the ring increases temperature and counterclockwise rotation of the ring lowers temperature (see table and schematic for details). Turn water on and test for desired temperature.

Adjusting Flow Limit Control:

1. Using a thin flat screwdriver, carefully remove flow limit stop by prying it away from the cartridge control shaft.
2. Reset flow limit stop higher on the shaft to increase flow or lower to decrease flow
3. Re-install handle and check for proper operation.

NOTE: The flow limit adjustment is effective when a higher than 2.2 GPM flow outlet is installed in the faucet or the flow outlet has been removed.

SPEAKMAN COMPANY
Installation, Maintenance & Operation Instructions
LEAD FREE 8" SINGLE LEVER KITCHEN FAUCET
Model No. S-3761 and S-3761-HS

FAUCET TEST

1. Remove aerator and open valve to mixed position.
2. Turn water on for approximately 60 seconds.
3. Check for leaks under the sink.
4. Shut off faucet and replace aerator.

MAINTENANCE (CARE AND CLEANING)

Always use Speakman Company parts when performing routine maintenance. The use of non-Speakman Company parts will void your warranty. After any maintenance is performed on the valve, flush the system as noted in the Faucet Test section of the instructions. Assuming proper care, your Speakman Company "Lead Free" single lever faucet will provide years of trouble free service. Care in cleaning is important. The finish can be damaged with the use of harsh abrasive cleaners or polishes. To clean the valve, gently wipe with damp cloth and blot dry with a soft towel.

TROUBLESHOOTING

PROBLEM	REMEDY
Faucet leaks from under handle.	Remove faucet handle (1) and collar (4). Tighten the packing nut (5). Do not over tighten. Check for leaks. If there is no leaking, reinstall collar and handle. If leak is still present, contact Speakman Company Customer Service for a cartridge kit replacement.
Faucet leaks between swivel spout and rest of body	Contact Speakman Company Customer Service for a replacement.
No water comes out of faucet spout.	Ensure that water supply is turned on. Check aerator for debris. Remove aerator. Remove debris and reinstall aerator.
Water deflects at an angle from the faucet spout.	Aerator has debris. Remove aerator. Remove debris and reinstall aerator. Replace aerator if damaged.

For any questions please contact Speakman Company Customer Service at 1-800-537-2107 or www.speakmancompany.com.